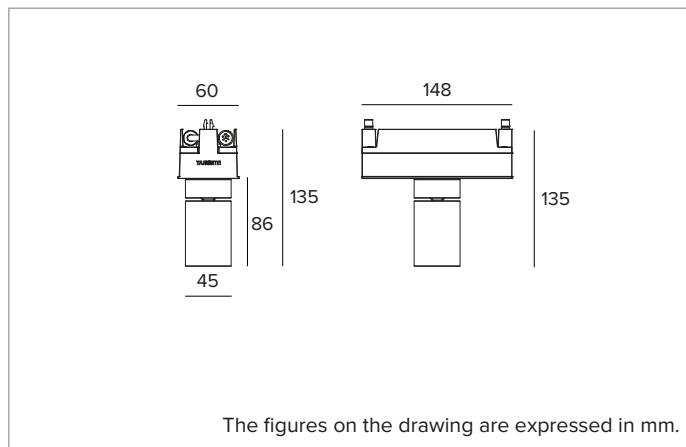


1E4235 | IVY People sensor / Daylight sensor

Presence and daylight sensor



MECHANICAL CHARACTERISTICS

Device made of presence / movement detector (PIR) and brightness sensor. The sensors are enclosed in an aluminum cylinder obtained through CNC machining process with the same design of IVY single projector modules. The 15 μ thick black anodizing treatment guarantees sturdiness and protection, making the sensor suitable even for the most aggressive environments. Available also in white or ferrite powder coating. Adjustability of the optical unit of 90° on the vertical plane (friction locking system) and 355° on the horizontal plane with the possibility of mechanical aiming locking through no tools system. Aluminium joint with locking system. The presence/movement detector and the brightness sensor are enabled for use with the Casambi system and allow easy programming via the Casambi App for mobile devices. Detection Field: 94°x82°.

Colour and finish: White

Weight: 0.45Kg

Degree of protection: IP65

ELECTRICAL CHARACTERISTICS

Fixture Power: 3W. Ambient lighting: adjustable setting range via Casambi app. Switch on time: adjustable setting range via Casambi app. Mounting height: up to 5 meters. Motion Detection Speed: 1m/s. Detection distance: max 7 meters.

Power supply: 48Vdc

Insulation Class: CLASS 3

Ambient temperature: -25°C / +50°C

INSTALLATION

Fast connection system of the modules through anodized aluminium clips. Free positioning all over the installation profile according to installation needs with mechanical lock through Hex Key. Designed for connection in series through H05RN-F (0.15m + 0.15m) cable completed with male/female miniaturised IP65 connectors.

NOTES

Control and configuration to be carried out through the CASAMBI app.

WARRANTY

2 years.

Due to the technological evolution of the electronic components, the data provided may be updated, and as such, confirmation must be requested during the order process.

Luminous flux and power supply have +/-10% tolerances with respect to the indicated value. tq +25°C (CIE 121).

We reserve the right to make technical changes.

Targetti Sankey S.r.l.
Via Pratese, 164
50145 Firenze - Italy
Tel: +39 055 37911
targetti.com
targetti@targetti.com

CCIAA Firenze
Share Capital:
€ 500.000,00
VAT N. (IT):
01537660480
R.E.A: FI-275656

TARGETTI